

# Cessna Skymaster N2362S S/N 337-0662 Mitchell Engine Gauge Cluster Wiring Diagram

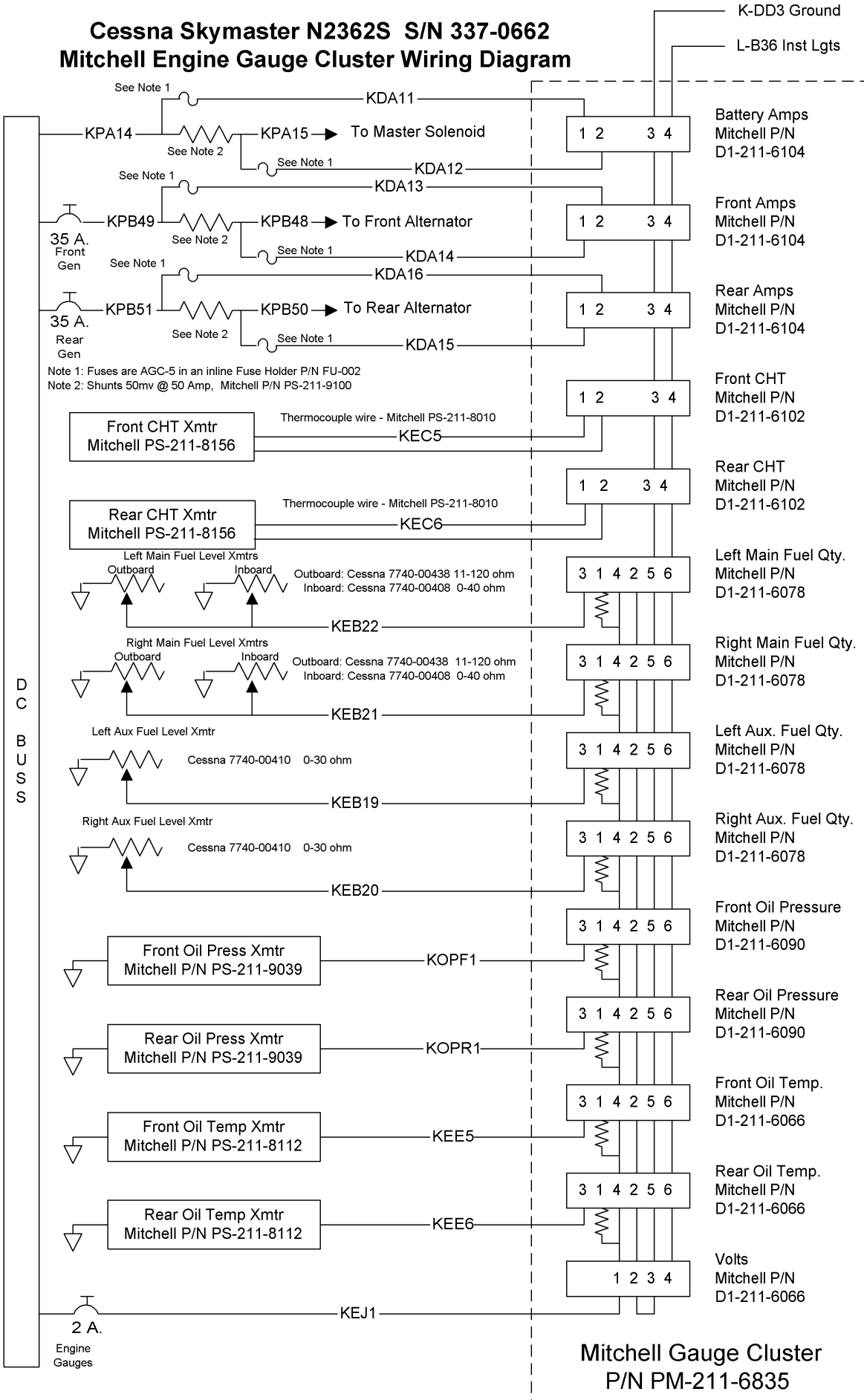


Figure 6. Engine Gauge Cluster Wiring Diagram